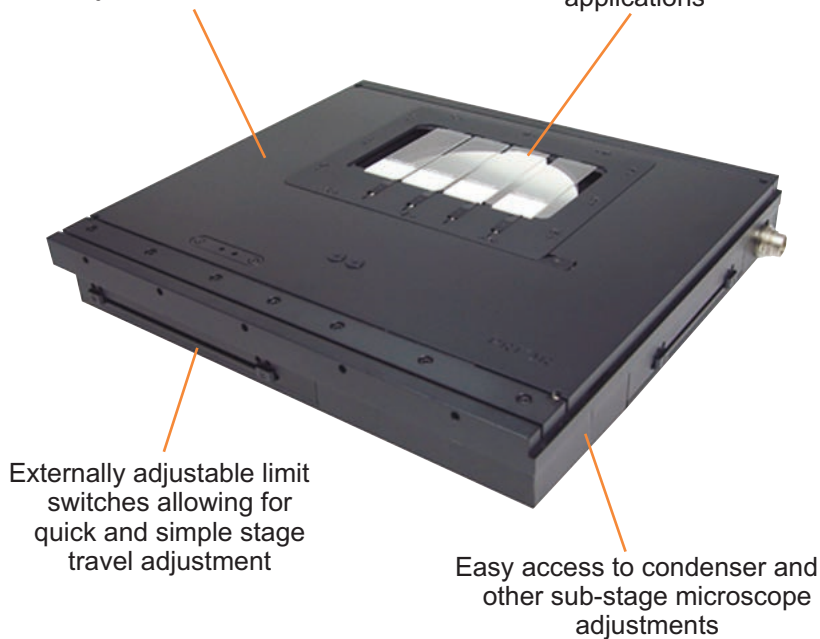


H101F ProScan™ Flat Top Stage

Motorized Stepper Stage for Upright Microscopes

Ultra low profile sample holders
for use with high NA
objectives/condensers

Larger sample holder design
area accommodates variety of
applications



Externally adjustable limit
switches allowing for
quick and simple stage
travel adjustment

Easy access to condenser and
other sub-stage microscope
adjustments

Prior Scientific proudly introduces our latest and most innovative motorized stage for upright microscopes, the H101F flat top stage. Significant benefits of the new ProScan H101F include:

- Super thin flat top design provides unlimited obstruction free space for objective and nose piece rotation
- Ultra low profile sample holders for use with high NA objectives/condensers
- Larger sample holder design area (176mm x 154mm) accommodates a variety of applications such as large tissue sections and other custom sample holders
- Easy access to condenser and other sub-stage microscope adjustments
- Optional embedded high resolution XY encoders provide the highest precision available
- Externally adjustable limit switches allowing for quick and simple stage travel adjustment
- Smaller stage cable and connector simplifies cable routing
- Older model sample holders are compatible by adding a simple adapter plate

The H101F flat top stage is compatible with the widest variety of image analysis software programs when controlled with the ProScan III controller. Prior stages have a well deserved reputation for quality and repeatability. They are manufactured using the highest quality components: precision bearings, zero backlash recirculating ball screws, X and Y limit switches, two high precision stepper motors and tough scratch resistant coating.

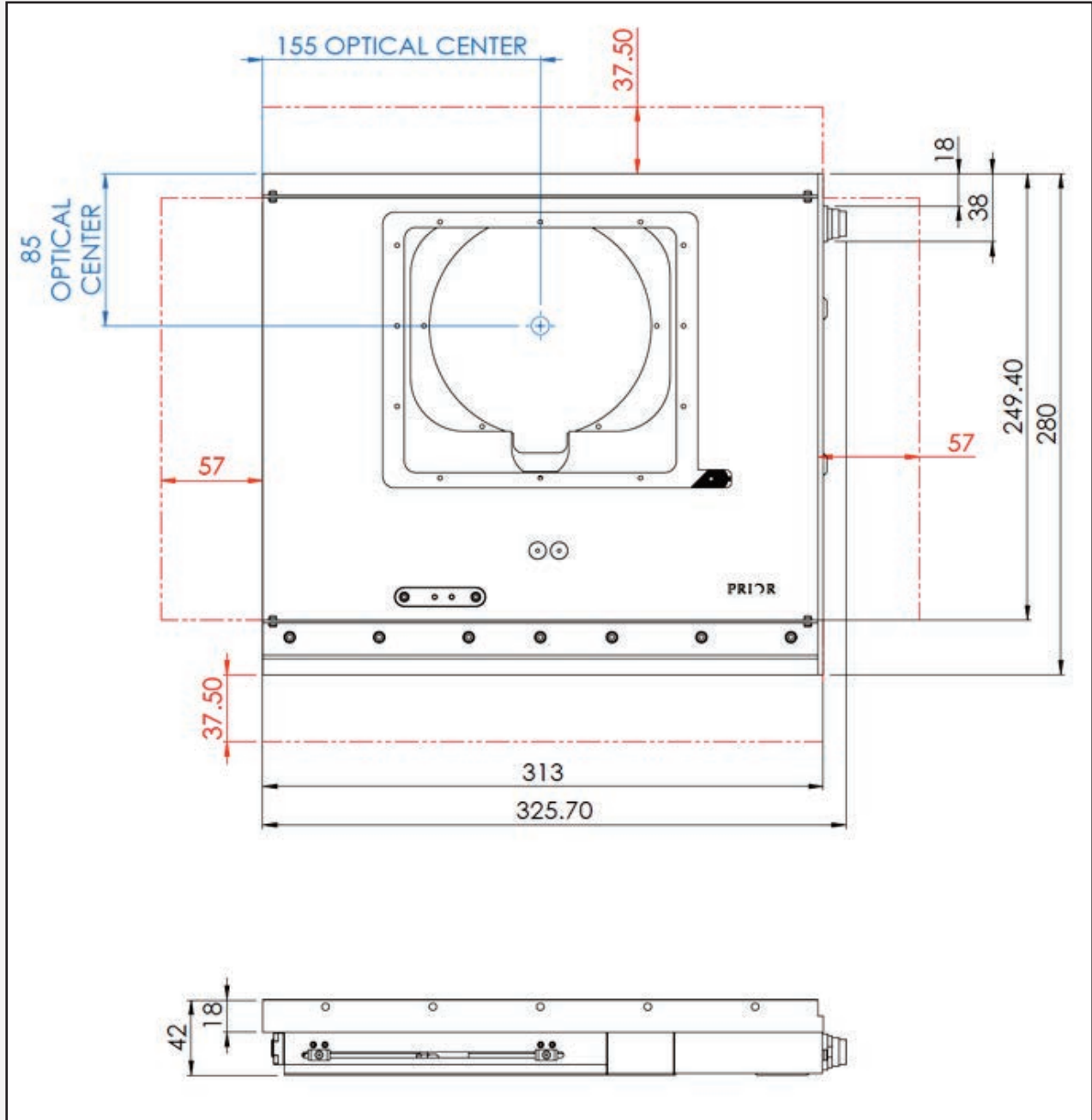
Features:

- Travel range of 114mm x 75mm
- Intelligent Scanning Technology (IST) provides highest precision available
- Optional 100nm linear scales provide highest precision available
- Minimum step size (resolution) of the stage is 0.02 microns
- Standard stages are customized to any microscope or mount
- Stage inserts for slides, petri dishes, microtitre and Terasaki trays
- Externally adjustable limit switches

H101F ProScan™ Flat Top Stage

Motorized Stepper Stage for Upright Microscopes

Outline Drawing



Worldwide distribution



Prior Scientific, Ltd
Cambridge, UK

T. +44 (0) 1223 881711
E. uksales@prior.com

Prior Scientific, Inc
Rockland, MA, USA

T. +1 781-878-8442
E. info@prior.com

Prior Scientific, GmbH
Jena, Germany

T. +49 (0) 3641 675 650
E. jena@prior.com

Prior Scientific KK
Tokyo, Japan

T. +81-3-5652-8831
E. info-japan@prior.com

H101F ProScan™ Flat Top Stage

Motorized Stepper Stage for Upright Microscopes

Specifications

Performance	H101P2F	H101P1F	H101E2F	H101E1F
Uni-Directional Repeatability (Average)*	+/-0.7(0.2) μm	+/-0.7(0.2) μm	+/-0.7(0.2) μm	+/-0.7(0.2) μm
Minimum Step Size	0.04 μm	0.02 μm	0.04 μm	0.02 μm
Recommended Speed (Max. Speed)	40 mms^{-1} (100)	20 mms^{-1} (50)	40 mms^{-1} (100)	20 mms^{-1} (50)
**Metric Accuracy	0.2 $\mu\text{m}/\text{mm}$	0.2 $\mu\text{m}/\text{mm}$	0.2 $\mu\text{m}/\text{mm}$	0.2 $\mu\text{m}/\text{mm}$
Maximum Travel Range	114 $\text{mm}\times 75\text{mm}$	114 $\text{mm}\times 75\text{mm}$	114 $\text{mm}\times 75\text{mm}$	114 $\text{mm}\times 75\text{mm}$
Maximum Load	10kg	10kg	10kg	10kg
Weight	4kg	4kg	4kg	4kg
Ball Screw Pitch	2mm	1mm	2mm	1mm
Motor Type	200 S.P.R***	200 S.P.R***	200 S.P.R***	200 S.P.R***
Encoders	No	No	0.1 μm resolution	0.1 μm resolution

*Using a Prior ProScan™ controller with backlash correction enabled, all repeatability is uni-directional.

** Requires the use of Prior ProScan™ Controller and are based on the Prior method of testing. Based on performance with IST enabled, and measured over the full travel range.

***S.P.R: Full steps per revolution of motor.

Controller Options



Patented Intelligent Scanning Technology (IST):

The ProScan™III controller and stage include as standard IST which significantly improves the metric accuracy of the ProScan™ stage.



Prior Interactive Control Center:

The PS3J100 local control center provides positional feedback and the ability to measure distances. The stage can be controlled either via the joystick or via fine individual X and Y control knobs.

Ordering Information

Part Number	Description
H31XYZE	Encoded X, Y and Z axis control
H31XYZEF	Encoded X, Y and Z axis, filter wheel and shutter control

PRIOR
Scientific

Worldwide distribution



Prior Scientific Ltd
Cambridge, UK

T. +44 (0) 1223 881711
E. uksales@prior.com

Prior Scientific Inc
Rockland, MA, USA

T. +1 781-878-8442
E. info@prior.com

Prior Scientific GmbH
Jena, Germany

T. +49 (0) 3641 675 650
E. jena@prior.com

Prior Scientific KK
Tokyo, Japan

T. +81-3-5652-8831
E. info-japan@prior.com